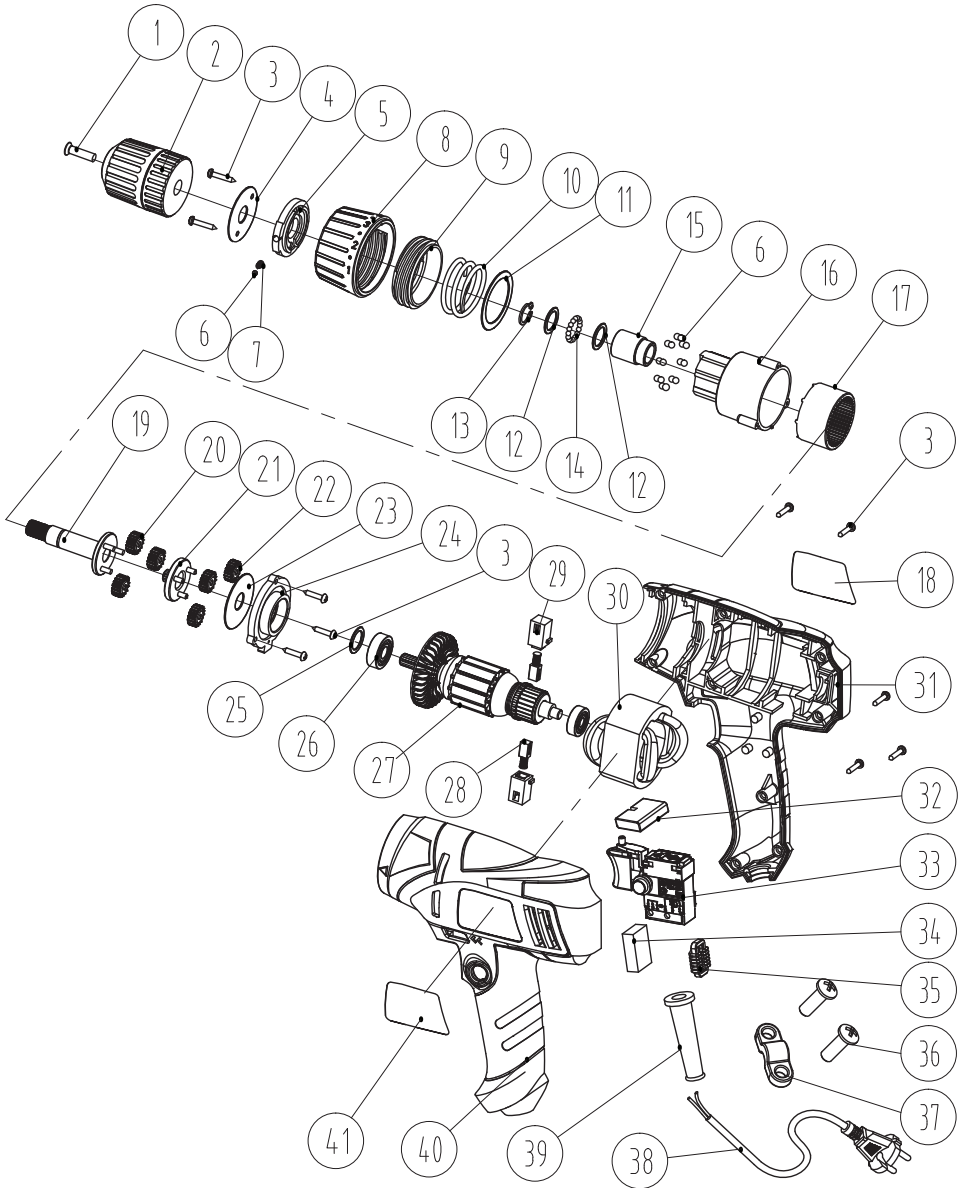


# RD-CDD03 Exploded view



## RD-CDD03 Spare Parts List

| Parts No. | Description              | Qty |
|-----------|--------------------------|-----|
| 1         | Screw M5×20(L)           | 1   |
| 2         | Chuck 10mm               | 2   |
| 3         | Screw ST2.9×13           | 14  |
| 4         | Cover plate              | 1   |
| 5         | Cover                    | 1   |
| 6         | Steel ball 4             | 17  |
| 7         | Adjusting spring         | 1   |
| 8         | External adjustment ring | 1   |
| 9         | Screw ring               | 1   |
| 10        | spring                   | 1   |
| 11        | Big washer               | 1   |
| 12        | Circlip for shaft 12     | 1   |
| 13        | Washer 12                | 2   |
| 14        | Steel ball 3             | 15  |
| 15        | Bearing bush             | 1   |
| 16        | plastic skeleton         | 1   |
| 17        | Internal gear            | 1   |
| 18        | Nameplate                | 1   |
| 19        | Shaft                    | 1   |
| 20        | Planetary gear 2         | 3   |
| 21        | Planet carrier           | 1   |
| 22        | Planetary gear 1         | 3   |
| 23        | Anti-abrasive washer     | 1   |
| 24        | Middle Block             | 1   |
| 25        | Woolen washer            | 1   |

| Parts No. | Description                        | Qty |
|-----------|------------------------------------|-----|
| 26        | Bearing 608-2Z                     | 1   |
| 27        | Rotor                              | 1   |
| 28        | Carbon brush                       | 2   |
| 29        | Brush holder                       | 2   |
| 30        | Stator                             | 1   |
| 31        | Right housing case                 | 1   |
| 32        | Push button                        | 1   |
| 33        | Switch                             | 1   |
| 34        | Capacitor 0.33μF                   | 1   |
| 35        | Inductance 0.02mH                  | 1   |
| 36        | Stapping screw ST4.2×13            | 2   |
| 37        | Cable fixer                        | 1   |
| 38        | Cable HO5VV-F2X0.75mm <sup>2</sup> | 1   |
| 39        | Cable flex                         | 1   |
| 40        | Left housing case                  | 1   |
| 41        | Trademark                          | 1   |